

INSTALLATION INSTRUCTIONS for Replacement Door Spring Kit 12004119CM

THIS KIT CONTAINS:

- Spring Kit
- Plastic Clips
- Instruction Sheet



Disconnect power before servicing. Failure to do so can result in death or electrical shock.

Instructions

1. Unplug dishwasher or disconnect power supply. Disconnect water supplies as needed.
2. Remove mounting brackets, slide out dishwasher, and remove the outer door.

NOTE: To release spring tension, disconnect cords from both hinge levers.

3. Remove sliding pulleys, cords, and door springs from both sides (left/right).
4. Reinstall left and right pulleys.
5. If spring brackets aren't already installed into springs, insert them into springs, See *Figure 1*.
6. To install both springs into bases, tap brackets into base slots, See *Figure 2*.
7. Insert spring clips into both sides of bases (left/right). See *Figure 3*.
8. Insert cord into ends of both springs, making sure they're seated properly.
9. Thread cords through pulleys. Using pliers (as cord will be under tension), slide cord holding onto hinge levers. Make sure cords are not damaged during installation.
10. Install the outer door.

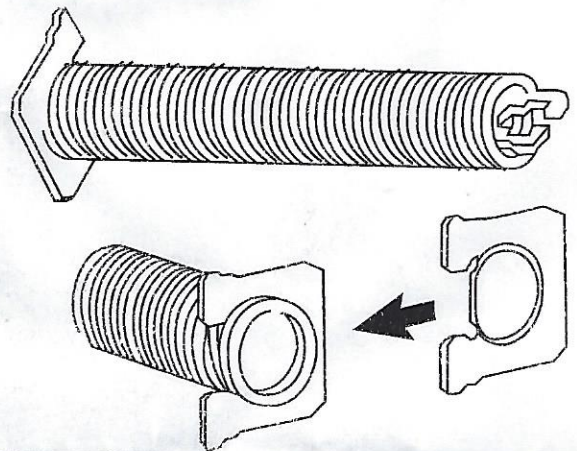


FIGURE 1

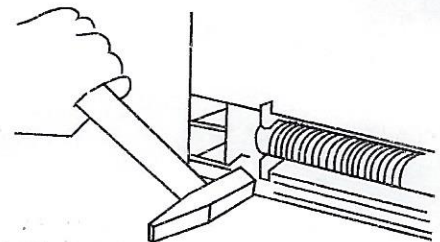


FIGURE 2

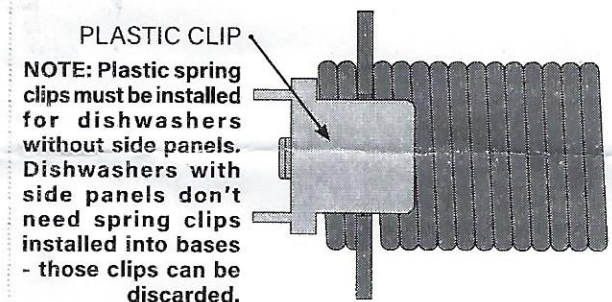


FIGURE 3